

TG-10

Sling Dining Chair

Designed by William Katavolos, Ross Littell,
and Douglas Kelly

Leather Sling Option

Tan Leather

Chestnut Leather

Medium Brown Leather

Dark Brown Leather

Black Leather

**White Leather is no longer available*

Hair On Hide Option

Brown / White Hair on Hide

Tan / White Hair on Hide

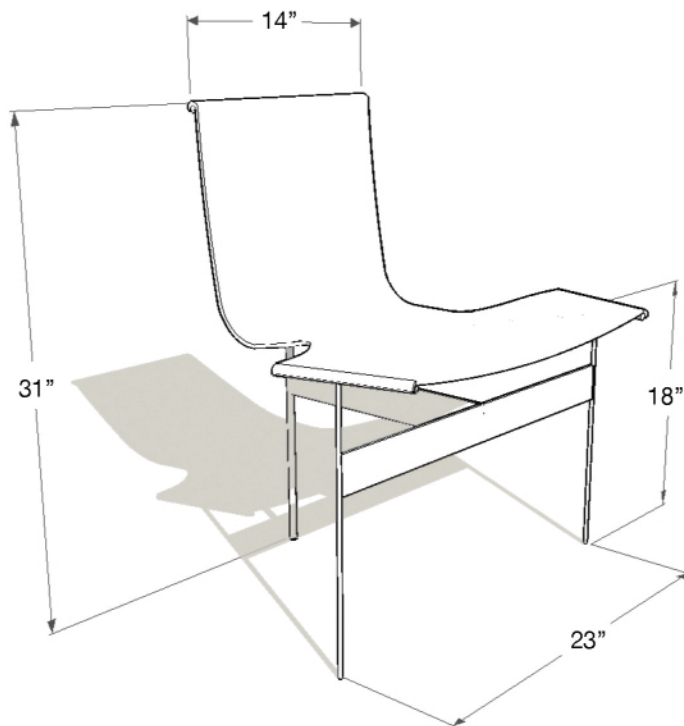
Black / White Hair on Hide

"T" Base Finish Option

Polished Chrome Finish

Bronze Antique Finish

[Light, Medium, Blackened Bronze]



Dimensions

Chair: 23" W x 22" D x 31" H

Seat Height: 18" H

Lead Time

Approximately 14 - 16 weeks

About the TG 10

The sling dining chair has three legs with a "T" base in polished chrome and bronze antique finish [light, medium or blackened bronze]. The seat is made with a saddle leather in tan, chestnut, medium brown, dark brown or black leather. The sling is also available with the option of hair on hide in brown and white, tan and white, and black and white.

For more information about pricing, please contact our showroom sales representative.

GRATZ ARCHIVE COLLECTION

1108 Shackamaxon Street, Philadelphia, PA 19106

(215) 650-7390 or (215) 739-7373 ext. 15 (Office Line)

furniture@gratzindustries.com | www.gratzindustries.com