

# TG-10

## Sling Dining Chair

Designed by William Katavolos, Ross Littell, and Douglas Kelly in 1952 as part of the original Laverne collection produced by Gratz.

### Leather Sling Option

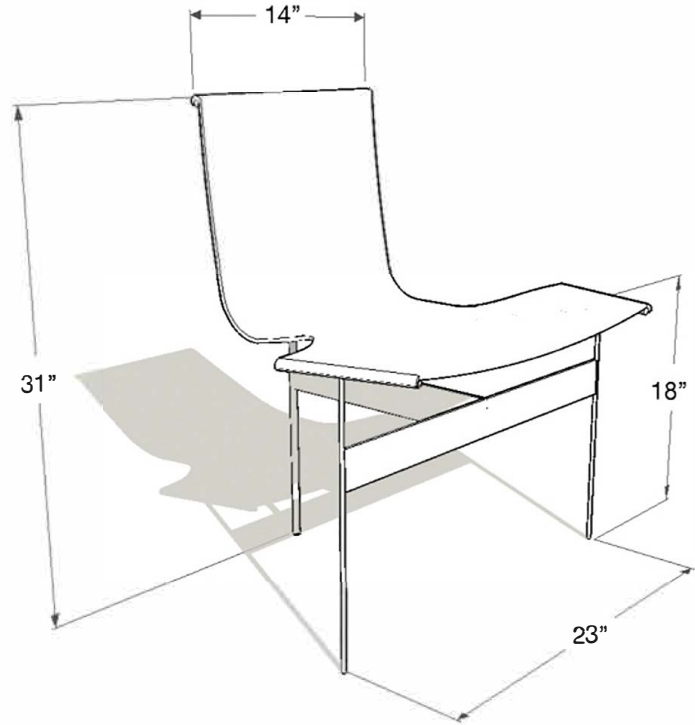
Tan Leather  
Chestnut Leather  
Medium Brown Leather  
Dark Brown Leather  
Black Leather  
White Leather  
Burgundy Leather  
*\*Custom Color Matching*

### Hair On Hide Option

Brown / White Hair on Hide  
Tan / White Hair on Hide  
Black / White Hair on Hide

### "T" Base Finish Option

Polished Chrome Finish  
Light Antique Bronze Finish  
Medium Antique Bronze Finish  
Blackened Antique Bronze Finish



### Dimensions

Chair: 23" W x 22" D x 31" H  
Seat Height: 18" H

### Lead Time

Approximately 6 - 10 weeks

### About the TG 10

The sling dining chair has three legs with a "T" base. The solid frame is available in polished chrome, light / medium antique bronze, and blackened bronze finishes. The seat is an American made English Bridle saddle sling, available in a variety of colors including tan, light /medium /dark brown, chestnut, black, and custom color matching is available. The sling is also available with the option of hair on hide in brown and white, tan and white, and black and white. In addition, special exotic leathers are available

Please request a sample set of our metal and leather options.

### GRATZ ARCHIVE COLLECTION

1108 Shackamaxon Street, Philadelphia, PA 19125  
(215) 650-7390 or (215) 739-7373 ext. 12 (Office Line)  
Design@gratzindustries.com | www.gratzindustries.com