

# TG-18

## Woven Leather Bench

Designed by William Katavolos, Ross Littell,  
and Douglas Kelly

### Woven Leather Option

Tan Leather

Chestnut Leather

Medium Brown Leather

Dark Brown Leather

Black Leather

*\*White Leather is no longer available*

### Steel Frame Finish Option

Polished Chrome Finish

Bronze Antique Finish

[Light, Medium, Blackened Bronze]

### Dimensions

Small Bench: 44.5" W x 26.5" D x 14" H

Large Bench: 75" W x 26.5" D x 14" H

(Shown in image)

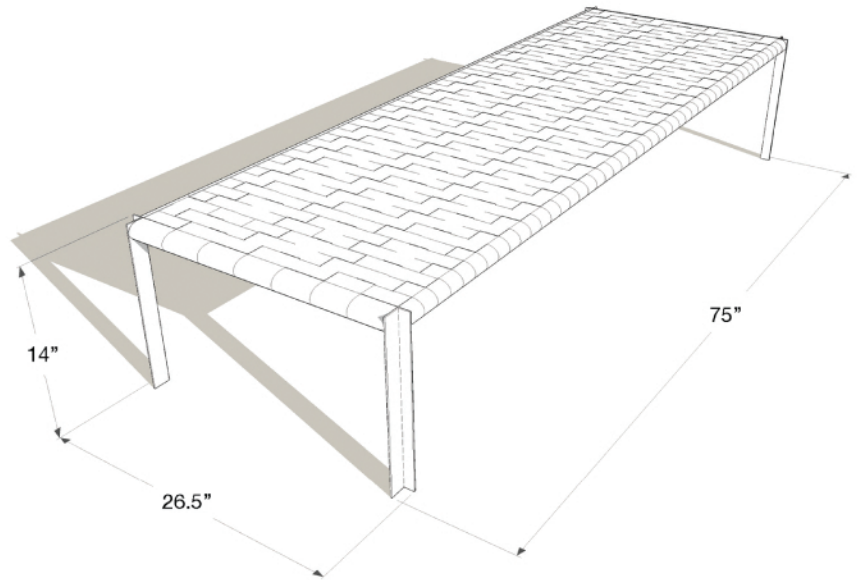
### Lead Time

Approximately 14 - 16 weeks

### About the TG 18

The woven leather bench has a steel frame that is available in polished chrome and bronze antique finish [light, medium or blackened bronze]. The seat is created with woven leather strips in tan, chestnut, medium brown, dark brown or black leather. Only two sizes are available.

For more information about pricing, please contact our showroom sales representative.



### GRATZ ARCHIVE COLLECTION

1108 Shackamaxon Street, Philadelphia, PA 19106

(215) 650-7390 or (215) 739-7373 ext. 15 (Office Line)

furniture@gratzindustries.com | www.gratzindustries.com

2016 © GRATZ INDUSTRIES