

TG-18

Woven Leather Bench

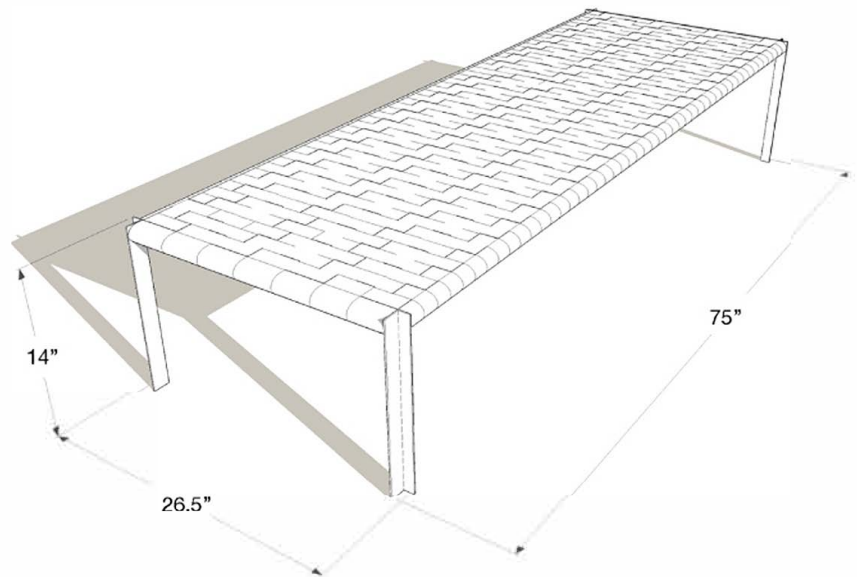
Designed by William Katavolos, Ross Littell, and Douglas Kelly in 1952 as part of the original Laverne collection produced by Gratz.

Woven Leather Option

Tan Leather
Chestnut Leather
Medium Brown Leather
Dark Brown Leather
Black Leather
White Leather
Burgundy Leather
*Custom Color Matching

Steel Frame Finish Option

Polished Chrome Finish
Bronze Antique Finish
[Light, Medium, Blackened Bronze]



Dimensions

Small Bench: 44.5" W x 26.5" D x 14" H
Large Bench: 75" W x 26.5" D x 14" H

Lead Time

Approximately 6 - 10 weeks

About the TG 18

The solid frame is available in polished chrome, light/medium antique bronze, and blackened bronze finishes. The seat is made of leather strips from American made English Bridle saddle, available in a variety of colors including tan, light/medium/dark brown, chestnut, black, and custom color matching is available. Custom size available.

Please request a sample set of our metal and leather options.

GRATZ ARCHIVE COLLECTION

1108 Shackamaxon Street, Philadelphia, PA 19125
(215) 650-7390 or (215) 739-7373 ext. 12 (Office Line)
Design@gratzindustries.com | www.gratzindustries.com